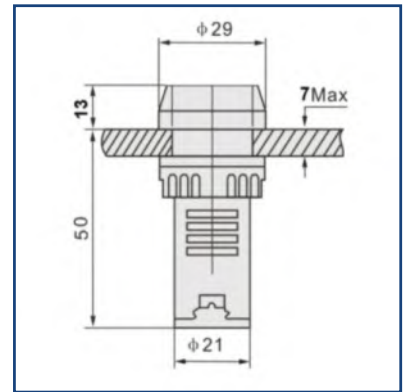


## RRE Indicator Lamp AD 16-22DS



### Technical Specifications

Parameter	Value
Input Voltage AC	12-450V
Input Voltage DC	12-265V
Rated Current	≤20mA
Frequency AC	50-60Hz
Impulse Withstand Voltage (1 Min)	2.5kV (AC)
Continuous Operating Life (LED)	30000h
Insulation Resistance	2MΩ
Index of Leakage	CTI ≥ 100
IP Protection	IP65 (other ratings on request)
Brightness	≥60cd/m <sup>2</sup>
Relative Humidity	≤98%
Operating Temperature	25° -55° C
Allowable voltage fluctuation	±20%
Approvals/Certifications	CE ; IEC947-5-1; EN60947-5-1



Dimensions: (mm)



Colours: Blue, Green, Red, Yellow & White.  
Body: Black (plastic); Grey Body available on request

### Contact Information

<https://royalswitchgeardubai.com/>

✉ info@royalswitchgeardubai.com

☎ +971 50 430 9767 / +971 55 823 6491

📍 **Royal Rubber Electric Equipment Trading LLC**

1st street (behind nine Ball Building)  
Al Qusais Industrial Area 3, Al Qusais  
Dubai, UAE



Location on Google Maps