

KASTN IP66 enclosures provide optimum protection against humidity and corroding weather for electrical and electronics components within the weatherproof wall mount enclosure.

The powder coated steel and galvanised zinc coated mounting plate provide a firm and sturdy base, keeping the power system safe and secure.



Model	W	H	D	No. Of Lock	Gland Opening
ETE 2 2515	250	250	150	1	O
ETE 2 315	300	300	150	1	O
ETE 25 315	250	300	150	1	A
ETE 25 320	250	300	200	1	A
ETE 3 315	300	300	150	1	B
ETE 3 320	300	300	200	1	B
ETE 3 420	300	400	200	1	B
ETE 4 420	400	400	200	1	B
ETE 4 520	400	500	200	1	C
ETE 4 620	400	600	200	2	C
ETE 5 620	500	600	200	2	D
ETE 5 625	500	600	250	2	D
ETE 6 620	600	600	200	2	D
ETE 5 720	500	700	200	2	D
ETE 5 725	500	700	250	2	D
ETE 6 820	600	800	200	2	D
ETE 6 825	600	800	250	2	D
ETE 8 820	800	800	200	2	E
ETE 8 825	800	800	250	2	E
ETE 6 1025	600	1000	250	3	D
ETE 8 1025	800	1000	250	3	E
ETE 8 1030	800	1000	300	3	E
ETE 8 1225	800	1000	250	3	E
ETE 8 1230	800	1200	300	3	E
ETE 10 1230	1000	1200	300	2	F
ETE 8 1430	800	1400	300	3	E
ETE 8 1630	800	1600	300	3	E
ETE 8 1640	800	1600	400	3	E
ETE10 1630	1000	1600	300	2	F

*All dimensions are in millimetres - mm.

Standard Specifications

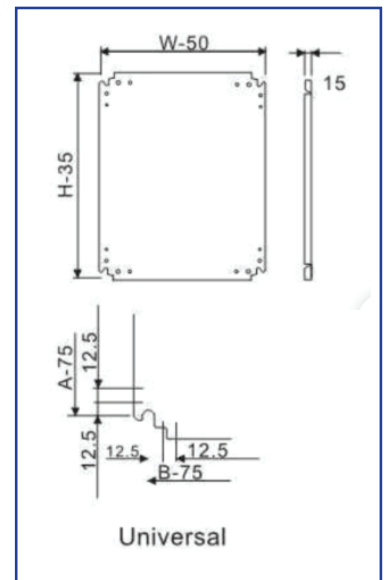
- Primary layer of paint finish with epoxy polyester powder coating texture finish
- Color: RAL 7032
- Protection degree: IP 66
- Mechanical Impacts: IK 10
- Thickness - Enclosure & door: sheet steel 1,2mm till size ETE6 820 followed by thickness of 1.5 mm.
- Mounting plate: zinc-coated steel 1.5mm till size ST6 820 followed by thickness of 2.0 mm.

NEMA 4

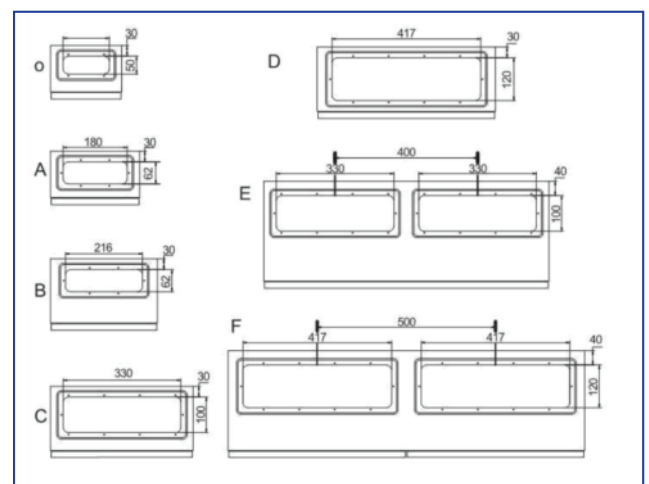


Supply Specifications

- Enclosure with right open door
- Mounting plate
- Lock system
- Gland plate
- Sealing Gasket
- Fixing Accessories



Mounting Plate Dimensions



Gland box type and dimensions chart