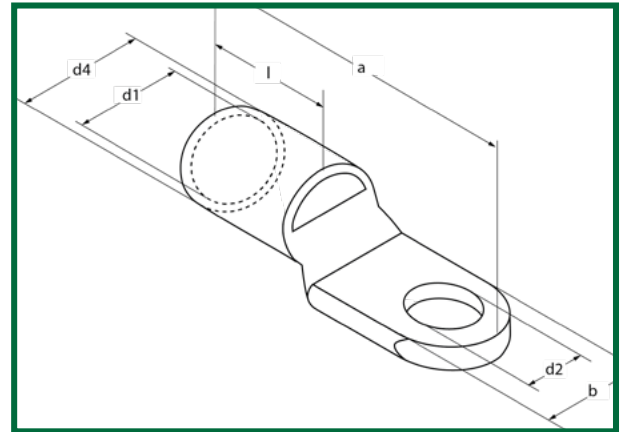


Cable Accessories

Tubular Lugs

KableKonnnect terminal lugs are made from 99.9% Copper high-conductivity electrolytic copper tube, which has the best possible electrical properties.

They have extremely an low coefficient of thermal expansion and are a fire-hazard free product.



Item No.	Conductor Section	Bolt	d1	d2	d4	b	a	L
CL 1.5-4	1.5	M4	1.8	4.2	3.7	8	5	16
CL 1.5-5	1.5	M5	1.8	5.2	3.7	10	5	17
CL 1.5-6	1.5	M6	1.8	6.5	3.7	10	5	18
CL 2.5-4	2.5	M4	2.4	4.2	4	8	7	18
CL 2.5-5	2.5	M5	2.4	5.2	4	10	7	20
CL 2.5-6	2.5	M6	2.4	6.5	4	10	7	20
CL 2.5-8	2.5	M8	2.4	8.4	4	12.5	7	23
CL 4-4	4	M4	3.1	4.2	4.8	10	7	20
CL 4-5	4	M5	3.1	5.2	4.8	10	7	20
CL 4-6	4	M6	3.1	6.5	4.8	10	7	20
CL 4-8	4	M8	3.1	8.4	4.8	12.5	7	23
CL 6-4	6	M4	3.8	4.2	5.5	10	9	24
CL 6-5	6	M5	3.8	5.2	5.5	10	9	24
CL 6-6	6	M6	3.8	6.5	5.5	12	9	24
CL 6-8	6	M8	3.8	8.4	5.5	12.5	9	26
CL 6-10	6	M10	4	10.5	6.2	15	9	28
CL 10-5	10	M5	4.5	5.2	6.2	12	9	25
CL 10-6	10	M6	4.5	6.5	6.2	12	9	25
CL 10-8	10	M8	4.5	8.4	6.2	12.5	9	27
CL 10-10	10	M10	4.5	10.5	6.2	15	9	29
CL 10-12	10	M12	4.5	13	6.2	17	9	31
CL 16-5	16	M5	5.4	5.2	7.1	12	12	30
CL 16-6	16	M6	5.4	6.5	7.1	12	12	30
CL 16-8	16	M8	5.4	8.4	7.1	12.5	12	30
CL 16-10	16	M10	5.4	10.5	7.1	16	12	33
CL 16-12	16	M12	5.4	13	7.1	17	12	35
CL 20-8	20	M8	6.3	8.4	8.3	8.4	12	32
CL 25-5	25	M5	6.8	5.2	8.8	13	12	33
CL 25-6	25	M6	6.8	6.5	8.8	13	12	33
CL 25-8	25	M8	6.8	8.4	8.8	15	12	33
CL 25-10	25	M10	6.8	10.5	8.8	18	12	34
CL 25-12	25	M12	6.8	13	8.8	18	12	35
CL 25-14	25	M14	6.8	15	8.8	20	12	38
CL 35-5	35	M5	8.2	5.2	10.6	16	14	38
CL 35-6	35	M6	8.2	6.5	10.6	16	14	38
CL 35-8	35	M8	8.2	8.4	10.6	16	14	38
CL 35-10	35	M10	8.2	10.5	10.6	18	14	39
CL 35-12	35	M12	8.2	13	10.6	19	14	40.5
CL 35-14	35	M14	8.2	15	10.6	20	14	42
CL 50-6	50	M6	9.5	6.5	12.4	17.8	16	45

...Tubular Lugs

Item No.	Conductor Section	Bolt	d1	d2	d4	b	a	L
CL 50-8	50	M8	9.5	8.4	12.4	17.8	16	45
CL 50-10	50	M10	9.5	10.5	12.4	17.8	16	45
CL 50-12	50	M12	9.5	13	12.4	20	16	45
CL 50-14	50	M14	9.5	15	12.4	22	16	46
CL 50-16	50	M16	9.5	17	12.4	24	16	47
CL 70-8	70	M8	11.2	8.4	14.7	21	20	52
CL 70-10	70	M10	11.2	10.5	14.7	21	20	52
CL 70-12	70	M12	11.2	13	14.7	21	20	52
CL 70-14	70	M14	11.2	15	14.7	21	20	52
CL 70-16	70	M16	11.2	17	14.7	25	20	53
CL 95-8	95	M8	13.5	8.4	17.4	25	23	58
CL 95-10	95	M10	13.5	10.5	17.4	25	23	58
CL 95-12	95	M12	13.5	13	17.4	25	23	58
CL 95-14	95	M14	13.5	15	17.4	25	23	58
CL 95-16	95	M16	13.5	17	17.4	25	23	58
CL 120-8	120	M8	15	8.4	19.4	28	22	63
CL 120-10	120	M10	15	10.5	19.4	28	22	63
CL 120-12	120	M12	15	13	19.4	28	22	63
CL 120-14	120	M14	15	15	19.4	28	22	63
CL 120-16	120	M16	15	17	19.4	28	22	63
CL 120-20	120	M20	15	21	19.4	28	22	63
CL 150-8	150	M8	16.5	8.4	21.2	30.5	26	70
CL 150-10	150	M10	16.5	10.5	21.2	30.5	26	70
CL 150-12	150	M12	16.5	13	21.2	30.5	26	70
CL 150-14	150	M14	16.5	15	21.2	30.5	26	70
CL 150-16	150	M16	16.5	17	21.2	30.5	26	70
CL 150-20	150	M20	16.5	21	21.2	30.5	26	70
CL 185-10	185	M10	18.5	10.5	23.5	34	32	75
CL 185-12	185	M12	18.5	13	23.5	34	32	75
CL 185-14	185	M14	18.5	15	23.5	34	32	75
CL 185-16	185	M16	18.5	17	23.5	34	32	75
CL 185-20	185	M20	18.5	21	23.5	34	32	75
CL 240-10	240	M10	21	10.5	26.5	38.5	38	90
CL 240-12	240	M12	21	13	26.5	38.5	38	90
CL 240-14	240	M14	21	15	26.5	38.5	38	90
CL 240-16	240	M16	21	17	26.5	38.5	38	90
CL 240-20	240	M20	21	21	26.5	38.5	38	90
CL 300-10	300	M10	23.5	10.5	30	43	42	98
CL 300-12	300	M12	23.5	13	30	43	42	98
CL 300-14	300	M14	23.5	15	30	43	42	98
CL 300-16	300	M16	23.5	17	30	43	42	98
CL 300-20	300	M20	23.5	21	30	43	42	98
CL 400-10	400	M10	28.5	10.5	36.5	52	44	110
CL 400-12	400	M12	28.5	13	36.5	52	44	110
CL 400-14	400	M14	28.5	15	36.5	52	44	110
CL 400-16	400	M16	28.5	17	36.5	52	44	110
CL 400-20	400	M20	28.5	21	36.5	52	44	110
CL 500-10	500	M10	30	10.5	39	56	48	120
CL 500-12	500	M12	30	13	39	56	48	120
CL 500-14	500	M14	30	15	39	56	48	120
CL 500-16	500	M16	30	17	39	56	48	120
CL 500-20	500	M20	30	21	39	56	48	120
CL 630-10	630	M10	35	10.5	45	65	56	140
CL 630-12	630	M12	35	13	45	65	56	140
CL 630-14	630	M14	35	15	45	65	56	140
CL 630-16	630	M16	35	17	45	65	56	140
CL 630-20	630	M20	35	21	45	65	56	140