

**Terminals**

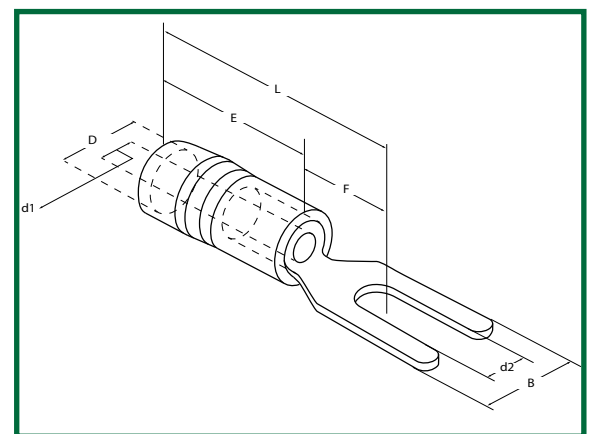
**Spade Terminals—JIS standards**

Spade terminals (also referred to as ‘fork’ or ‘split ring’ terminals) are used when a single wire is to be connected to a stud or screw type of electrical point. The shape of the terminal, similar to a fork, allows it to be quickly fixed or removed without the terminal point having to be unscrewed completely.

**KableKonnect** spade terminals are made to JIS standards and are UL certified. They come insulated with PVC. Different color codings are used to denote different wire sizes. The wiring size/gauge and the size of screws determine your choice of terminals.

**Maximum Operating Temperature:** (°C): 80

**Flammability (UL-94):** V0



Item No.	Wire Range AWG/mm <sup>2</sup>		Stud Size	b	L	F	E	D	d1
			d2						
VY1-3.2	22~16 AWG	0.5~1.5mm <sup>2</sup>	#4(3.2)	.224(5.7)	.815(20.7)	.256(6.5)	.374(9.5)	.157(4.0)	.067(1.7)
VY1-3S	22~16 AWG	0.5~1.5mm <sup>2</sup>	#6(3.7)	.224(5.7)	.815(20.7)	.256(6.5)	.374(9.5)	.157(4.0)	.067(1.7)
VY1-3	22~16 AWG	0.5~1.5mm <sup>2</sup>	#6(3.7)	.252(6.4)	.815(20.7)	.256(6.5)	.374(9.5)	.157(4.0)	.067(1.7)
VY1-4S	22~16 AWG	0.5~1.5mm <sup>2</sup>	#8(4.3)	.252(6.4)	.815(20.7)	.256(6.5)	.374(9.5)	.157(4.0)	.067(1.7)
VY1-4	22~16 AWG	0.5~1.5mm <sup>2</sup>	#8(4.3)	.283(7.2)	.815(20.7)	.256(6.5)	.374(9.5)	.157(4.0)	.067(1.7)
VY1-4L	22~16 AWG	0.5~1.5mm <sup>2</sup>	#8(4.3)	.319(8.1)	.815(20.7)	.256(6.5)	.374(9.5)	.157(4.0)	.067(1.7)
VY1-5	22~16 AWG	0.5~1.5mm <sup>2</sup>	#10(5.3)	.319(8.1)	.815(20.7)	.256(6.5)	.374(9.5)	.157(4.0)	.067(1.7)
VY1-6	22~16 AWG	0.5~1.5mm <sup>2</sup>	1/4(6.4)	.433(11.0)	.984(25.0)	.394(10.0)	.374(9.5)	.157(4.0)	.067(1.7)
VY2-3.2	16~14 AWG	1.5~2.5mm <sup>2</sup>	#4(3.2)	.224(5.7)	.834(21.2)	.256(6.5)	.394(10.0)	.177(4.5)	.091(2.3)
VY2-3S	16~14 AWG	1.5~2.5mm <sup>2</sup>	#6(3.7)	.224(5.7)	.834(21.2)	.256(6.5)	.394(10.0)	.177(4.5)	.091(2.3)
VY2-3	16~14 AWG	1.5~2.5mm <sup>2</sup>	#6(3.7)	.252(6.4)	.834(21.2)	.256(6.5)	.394(10.0)	.177(4.5)	.091(2.3)
VY2-4S	16~14 AWG	1.5~2.5mm <sup>2</sup>	#8(4.3)	.252(6.4)	.834(21.2)	.256(6.5)	.394(10.0)	.177(4.5)	.091(2.3)
VY2-4	16~14 AW	1.5~2.5mm <sup>2</sup>	#8(4.3)	.283(7.2)	.834(21.2)	.256(6.5)	.394(10.0)	.177(4.5)	.091(2.3)
VY2-4L	16~14 AWG	1.5~2.5mm <sup>2</sup>	#8(4.3)	.319(8.1)	.834(21.2)	.256(6.5)	.394(10.0)	.177(4.5)	.091(2.3)
VY2-5	16~14 AWG	1.5~2.5mm <sup>2</sup>	#10(5.3)	.319(8.1)	.834(21.2)	.256(6.5)	.394(10.0)	.177(4.5)	.091(2.3)

## ...Spade Terminals

Item No.	Wire Range AWG/mm <sup>2</sup>		Stud Size	b	L	F	E	D	d1
			d2						
VY2-6	16~14 AWG	1.5~2.5mm <sup>2</sup>	1/4(6.4)	.433(11.0)	1.004(25.5)	.394(10.0)	.394(10.0)	.177(4.5)	.091(2.3)
VY5-3	12~10 AWG	4~6mm <sup>2</sup>	#6(3.7)	.322(8.2)	.972(24.7)	.283(7.2)	.512 (13.0)	.252 (6.4)	.134 (3.4)
VY5-3M	12~10 AWG	4~6mm <sup>2</sup>	#6(3.7)	.354(9.0)	.972(24.7)	.283(7.2)	.512 (13.0)	.252 (6.4)	.134 (3.4)
VY5-4S	12~10 AWG	4~6mm <sup>2</sup>	#8(4.3)	.283(7.2)	.972(24.7)	.283(7.2)	.512 (13.0)	.252 (6.4)	.134 (3.4)
VY5-4	12~10 AWG	4~6mm <sup>2</sup>	#8(4.3)	.322(8.2)	.972(24.7)	.283(7.2)	.512 (13.0)	.252 (6.4)	.134 (3.4)
VY5-4M	12~10 AWG	4~6mm <sup>2</sup>	#8(4.3)	.354(9.0)	.972(24.7)	.283(7.2)	.512 (13.0)	.252 (6.4)	.134 (3.4)
VY5-5	12~10 AWG	4~6mm <sup>2</sup>	#10(5.3)	.354(9.0)	.972(24.7)	.283(7.2)	.512 (13.0)	.252 (6.4)	.134 (3.4)
VY5-6	12~10 AWG	4~6mm <sup>2</sup>	1/4(6.4)	.472(12.0)	1.22(31.0)	.433(11.0)	.512 (13.0)	.252 (6.4)	.134 (3.4)