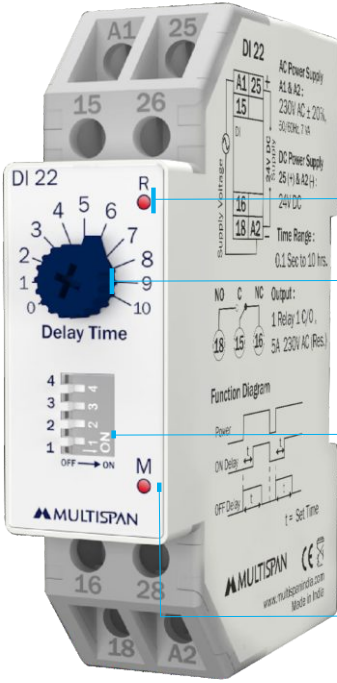


| | |
|--------------|---------------------------|
| DI | ON OFF Delay Timer |
| Model | DI 22, DI 22U |



RELAY OUTPUT

KNOB




for time range setting

PIANO SWITCH

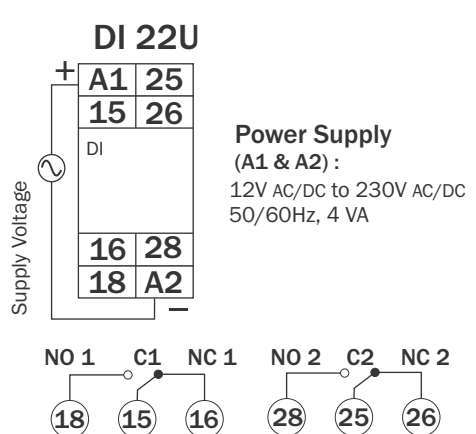
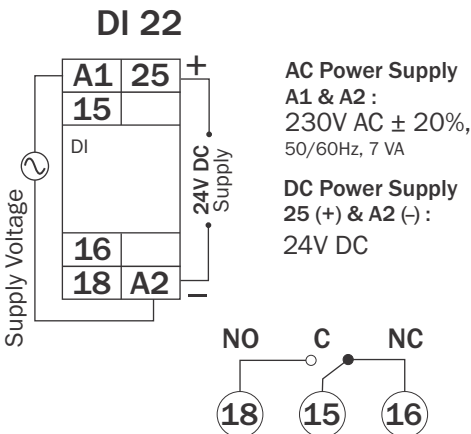
for time range selection & Delay on/off mode selection

MAIN LED

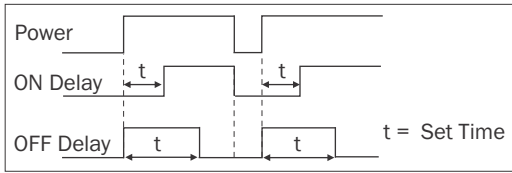
for visualisation of power supply status

| | |
|--|--|
|  | Power Supply : DI 22 : 230 V AC $\pm 20\%$, 50 Hz Or 24V DC DI 22U : 12V AC/DC to 230V AC/DC, 50 Hz |
|  | Output: DI 22 : 1 Relay O/P (1 C/O, 5A 230 VAC) : DI 22U : 1 Relay O/P (2 C/O, 5A 230 VAC) |
|  | Time Range : 0.1 sec to 10 hour |

Terminal Connection:



Timing Diagram:

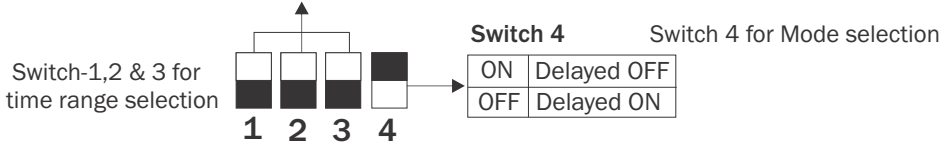


Dip switch selection:

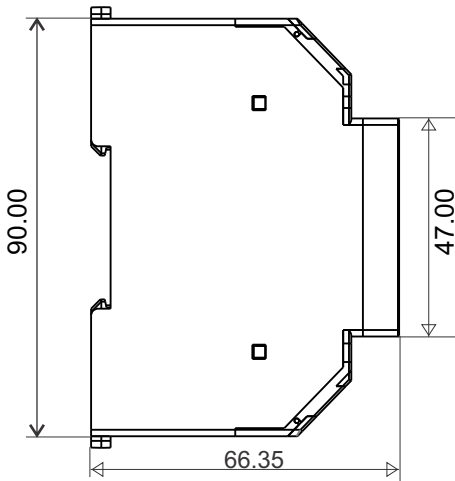
| SW 1 | SW 2 | SW 3 | Multiplier (Knob Indication) | Range |
|------|------|------|---------------------------------|---------|
| ON | ON | ON | 0.1 Sec X 10 | 1 Sec |
| OFF | ON | ON | 1 Sec X 10 | 10 Sec |
| ON | OFF | ON | 3 Sec X 10 | 30 Sec |
| OFF | OFF | ON | 10 Sec X 10 | 100 Sec |
| ON | ON | OFF | 1 min X 10 | 10 Min |
| OFF | ON | OFF | 3 min X 10 | 30 Min |
| ON | OFF | OFF | 10 min X 10 | 100 Min |
| OFF | OFF | OFF | 1 Hrs. X 10 | 10 hrs. |



Switch Settings



Dimension



NOTE:
All dimension are in mm.

Multispan reserves the right to change specifications without prior notice. Printing and typographical errors reserved.
Product improvement and upgrade is a constant procedure.

Multispan Control Instruments Pvt. Ltd.

72/B, Phase 1, GIDC Estate, Vatva, Ahmedabad-382445, Gujarat, India.

☎ +91-9978991476/9978991474/9978991482

✉ Service@multispanindia.com

Follow us



www.multispanindia.com