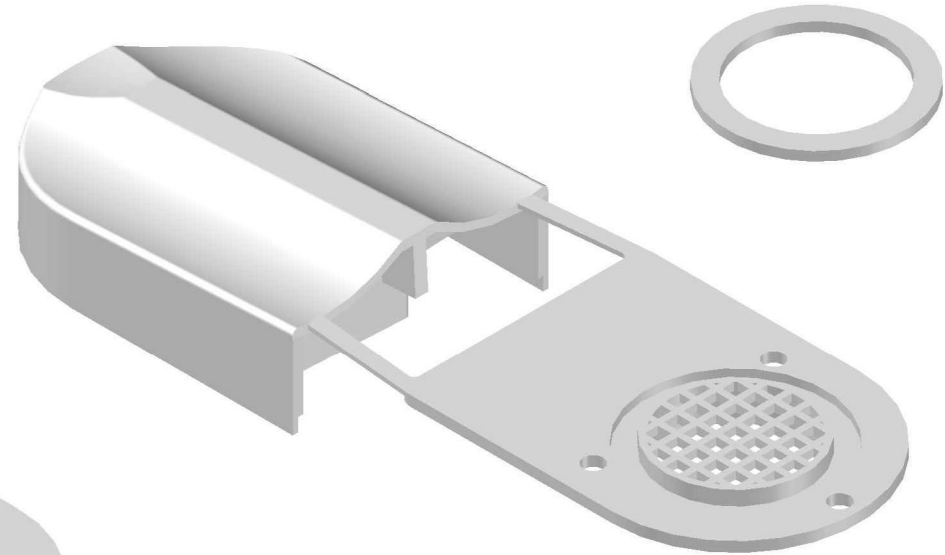
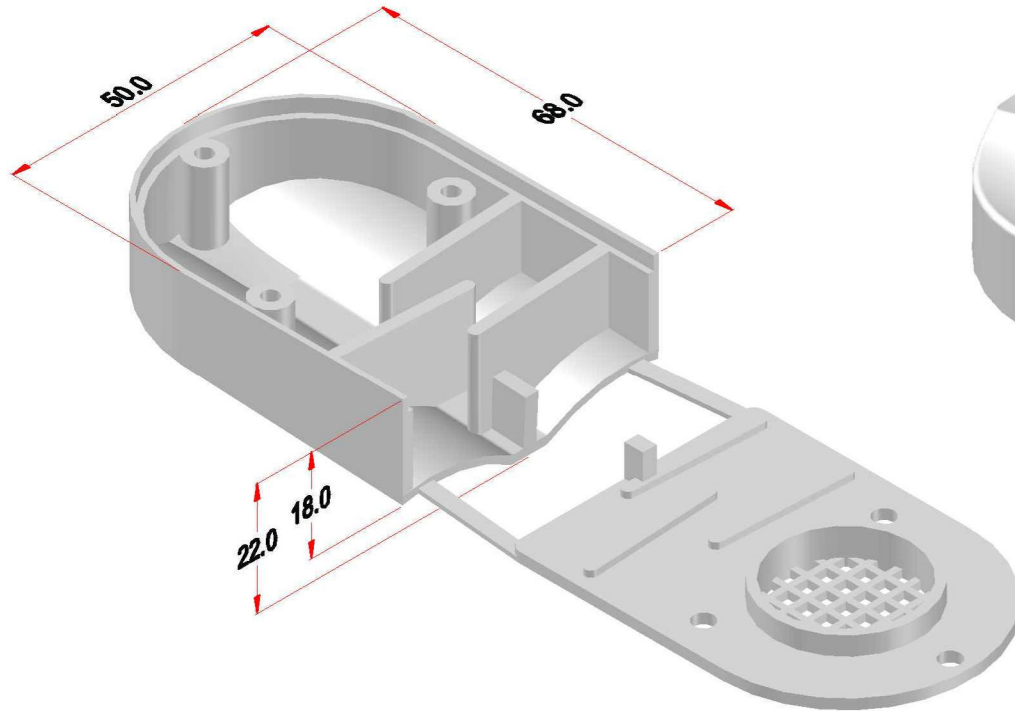


Part No.:-

IF IN DOUBT, ASK.



**TECHNICAL SPECIFICATION**

**BODY MATERIAL** : POLYAMIDE - 6  
**SEALING MATERIAL** : EPDM RUBBER.  
**TEMPERATURE RANGE** : STATIC -30° TO +120°C  
DYNAMIC -10° TO +80°C  
**PROTECTION CLASS** : IP 54  
**COLOR** : LIGHT GREY, WHITE & BLACK

- JUNIOR AIR VENTS ARE MADE OF POLYAMIDE 6 IDEALLY SUITED TO GUARANTEE OPTIMUM CONDITIONS FOR IMPACT RESISTANCE AND FULL INSULATION.
- EFFECTIVE GRIPPING IS PROVIDED ON TIGHTENING OF SCREWS.
- SPECIALLY PROVIDED GASKET ON INTERNAL PART OF THE JUNIOR AIR VENT PROVIDES SELF LOCKING AND VIBRATION RESISTANT FIXING.
- EASY MOUNTING OF JUNIOR AIR VENT IN TO MACHINES OR CONTROL PANEL.

		<b>Part Name:- NYLON JUNIOR AIR VENT.</b>	
		<b>Material :- NYLON.</b>	
<b>Scale:- 1:1</b>	<b>Size:-</b>	<b>Part No. :-</b>	<b>Qty.:-</b>
<b>Date</b>	<b>14.06.2021</b>	<b>Sheet No.:- 1 Of 1</b>	
<b>Drw. By</b>		<b>Revision No.:-</b>	
<b>Checked By</b>		<b>Revision Date :-</b>	
<b>Tolerance : ± 0.20 mm</b>			
<b>All Dimensions are in Millimeter</b>			