



Features:

- ▶ Ultra bright LED display
- ▶ Site Programmable CT and PT ratio (Primary and Secondary)
- ▶ True RMS measurement
- ▶ Password protection
- ▶ 63A direct current
- ▶ Total harmonic distortion measurement
- ▶ Auto ranging
- ▶ Universal Auxiliary supply



Advantages:

- ▶ Energy Management System
- ▶ To caution on the Extra Energy Consumption
- ▶ CT Ratio Site Programmable reduce inventory

Applications:

- ▶ Energy Audit
- ▶ Control Panel
- ▶ Distribution Systems
- ▶ Generator Sets

Measuring Parameters

- ▶ Active energy
- ▶ Voltage (L-L)
- ▶ Voltage (L-N)
- ▶ Current (line)
- ▶ Power factor (phase)
- ▶ Power (Active, Reactive and Apparent)
- ▶ Frequency (System)
- ▶ Total Harmonic Distortion (Phase wise): Voltage and Current
- ▶ Load hour

Supply Voltage

Auxiliary Supply	90-270V A/DC (±15%)
Frequency	50-60 Hz

Display

Display	2 rows, LED 1 row of 8 digits for Energy display 1 row of 4 digits for other parameters
Digit Height	0.39" (9.9mm)
Display Scrolling	Automatic/Manual

Settable Parameters

C.T. Primary	1/5A to 10000A (Programmable)
C.T. Secondary	1/5A (Programmable)
P.T. Ratio	Programmable upto 132 kV
Display Reset	Energy

Input Specifications

Electrical Connection	3Ø-4 wire/1Ø-2 wire
Input Voltage Range	0-500V AC (L-L)
Input Current Range	0.15A-63A
Frequency	45-65 Hz
Resolution	<ul style="list-style-type: none"> ▶ Energy 0.1 kWh ▶ Power factor: 0.001 ▶ Frequency: 0.01 Hz ▶ Voltage: Autoranging ▶ Current: Autoranging ▶ Power: Autoranging
Accuracy	<ul style="list-style-type: none"> ▶ Voltage ±0.5% of F.S. ▶ Power factor ±0.5% ▶ Frequency ±0.1% ▶ Power (Active, Reactive and Apparent): 1% ▶ Energy (Active, reactive and Apparent): Class 1
Burden	Voltage: 0.2 VA max. per input Current: 0.2 VA max. per input Aux. supply: 3 VA max.

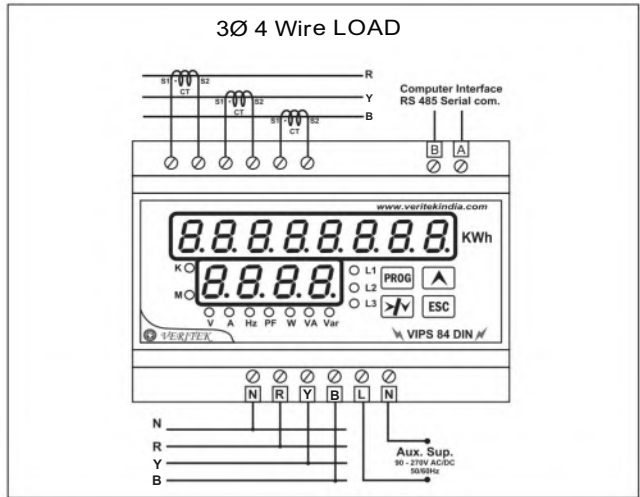
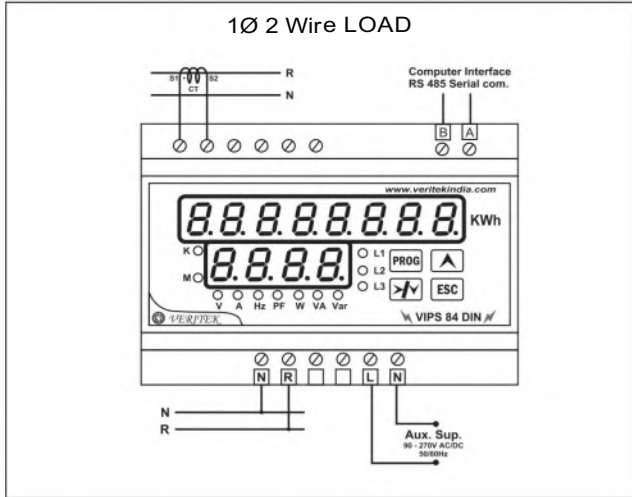
Environmental Specifications

Temperature	Operating : -10° to 55°C Storage : -20° to 75°C
Humidity	< 95% RH

Mechanical Specifications

Housing	ABS thermoplastic
Dimension	105x90x95 mm
Mounting	DIN Rail

Connection Diagram



Dimension

